
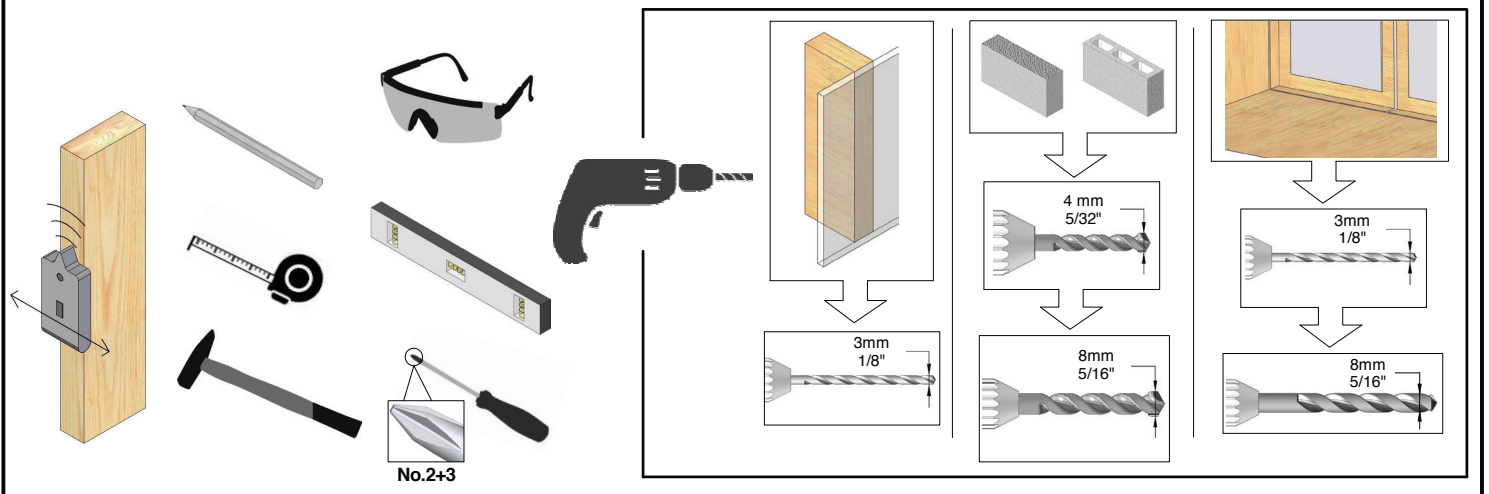
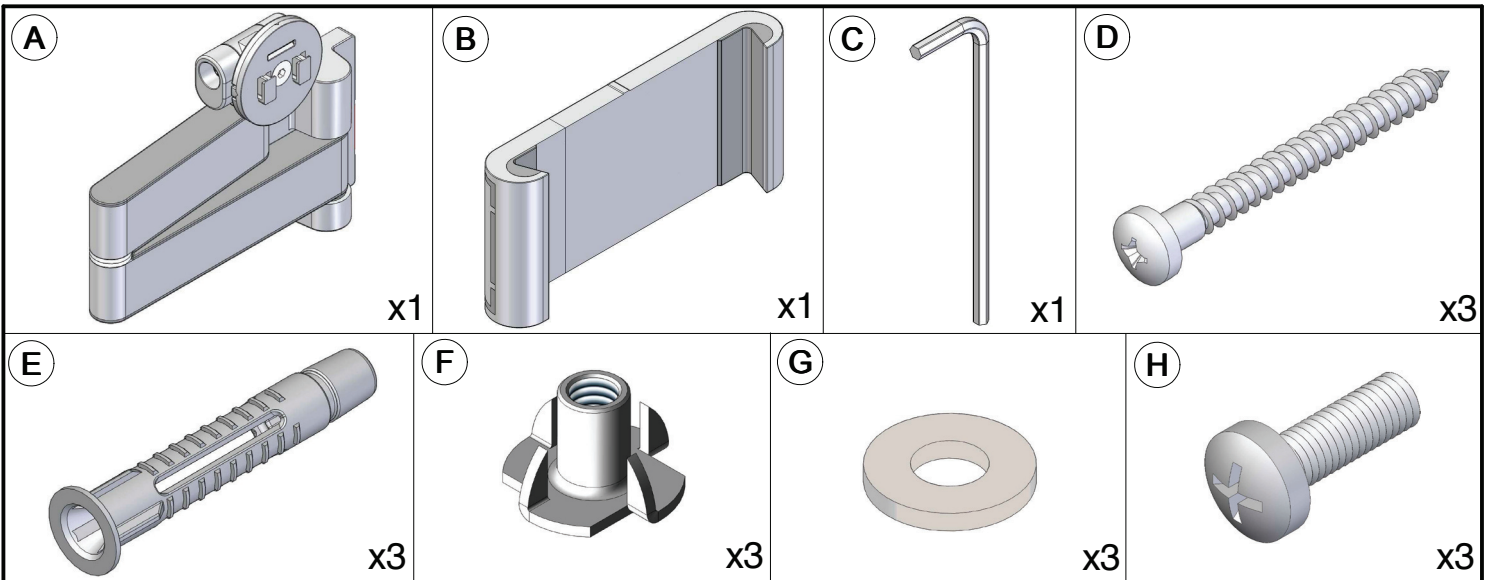
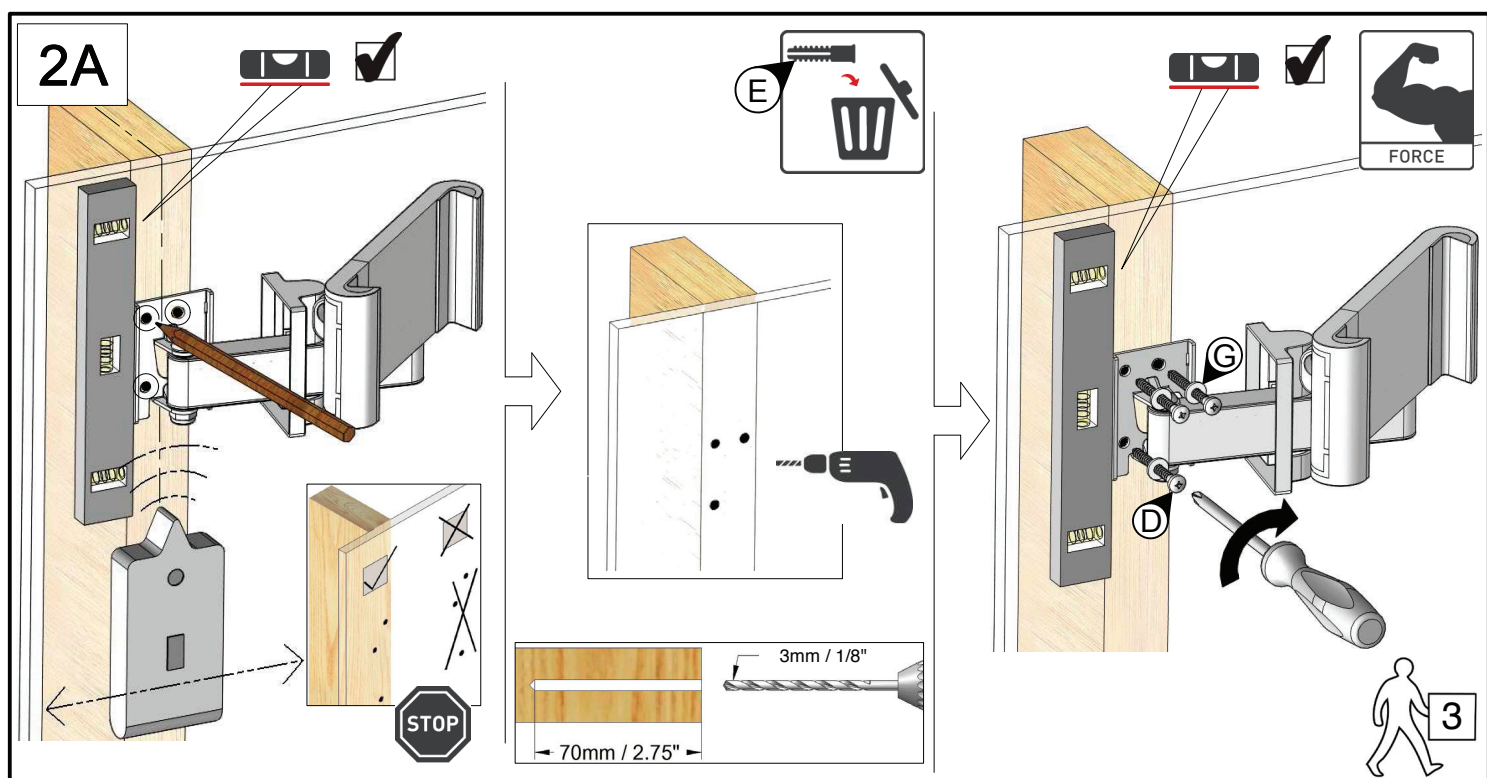
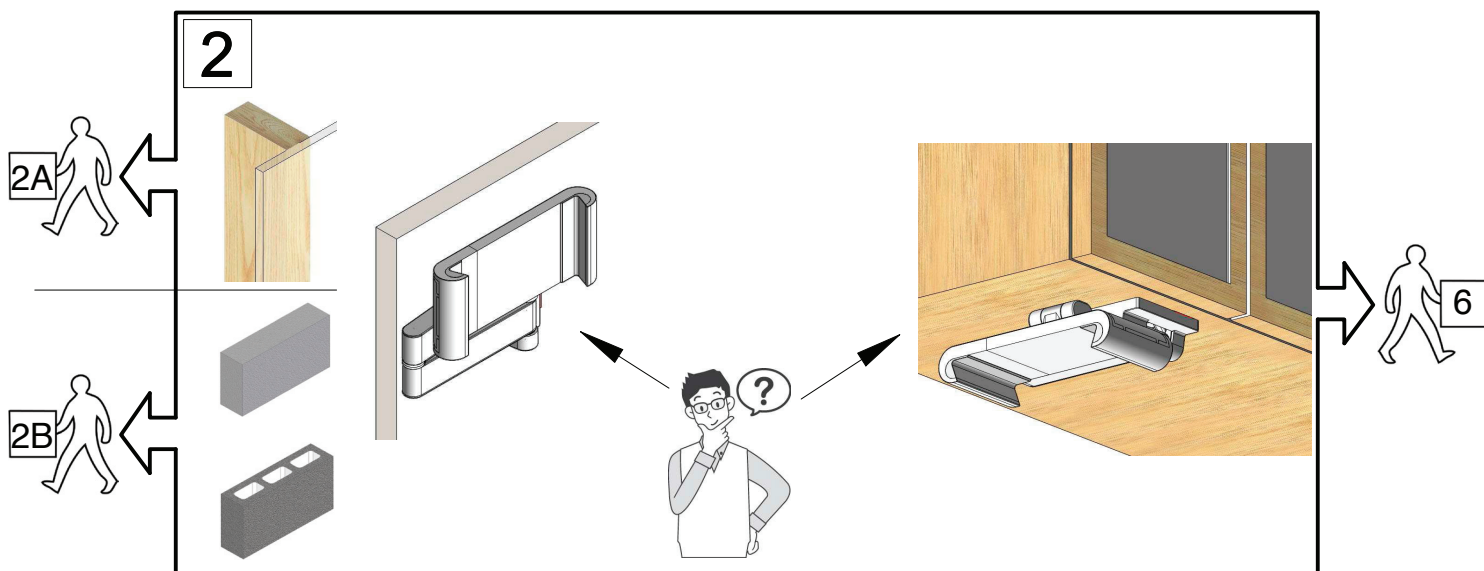
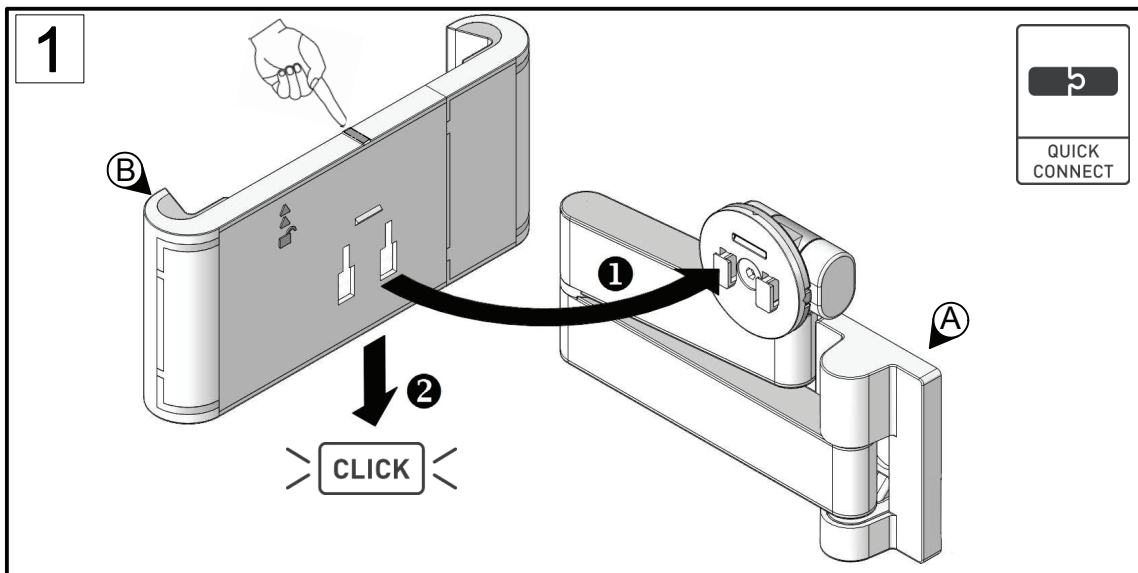




Fits all Tablets	 Max	
	US	EU
7" - 12" / 17.8 - 30.5cm	2.2 lbs	1 kg





2B

This section contains several sub-diagrams for step 2B:

- Leveling:** A vertical level is used to ensure the mounting plate is level. A checkmark indicates correct alignment.
- Warnings:** A warning triangle with an exclamation mark is shown. Below it, two 'STOP' signs indicate that drilling should not be performed near a water tap and an electrical outlet. A 'DANGER' symbol with a lightning bolt is also present.
- Drilling:** Two diagrams show the drilling process. Step 1 uses a 4mm / 5/32" drill bit to create a hole 70mm / 2.75" deep. Step 2 uses an 8mm / 5/16" drill bit for a hole 70mm / 2.75" deep.
- Mounting:** A diagram shows the mounting plate being attached to a wall. A callout 'E' points to a hole in the wall. A 'PLASTER COATING' callout points to a 10mm / 3/8" gap in the wall. A 'FORCE' icon with a muscular arm is shown. A '3' icon with a person silhouette is also present.
- Fasteners:** A series of four diagrams show the insertion of screws. The first two are labeled '1' and '2' with 'x Min 2'. The last two are labeled '1' and '2' with 'X Min 4 Max 9'.
- Final Mounting:** A diagram shows the mounting plate being secured to the wall with screws labeled 'D' and 'G'. A level is used to check the final position. A '3' icon with a person silhouette is shown.

3 **TEST!**

This section shows the testing phase:

- A hand is shown applying pressure to the mounting arm.
- A large downward arrow indicates the direction of force.
- A diagram shows a weight being applied to the arm. A checkmark indicates correct application, and a red 'X' indicates incorrect application.
- The weight is specified as **5kg / 11lbs**.

4

This section shows the monitor being tilted:

- A hand is shown tilting the monitor. Arrows labeled '1' and '2' indicate the direction of movement.

5

This section shows the final adjustments:

- A hand is shown rotating the monitor. A circular arrow indicates **360° ROTATION**.
- A hand is shown tilting the monitor. A curved arrow indicates **TILT**.
- A 'FINISH' icon with a person silhouette is shown.

